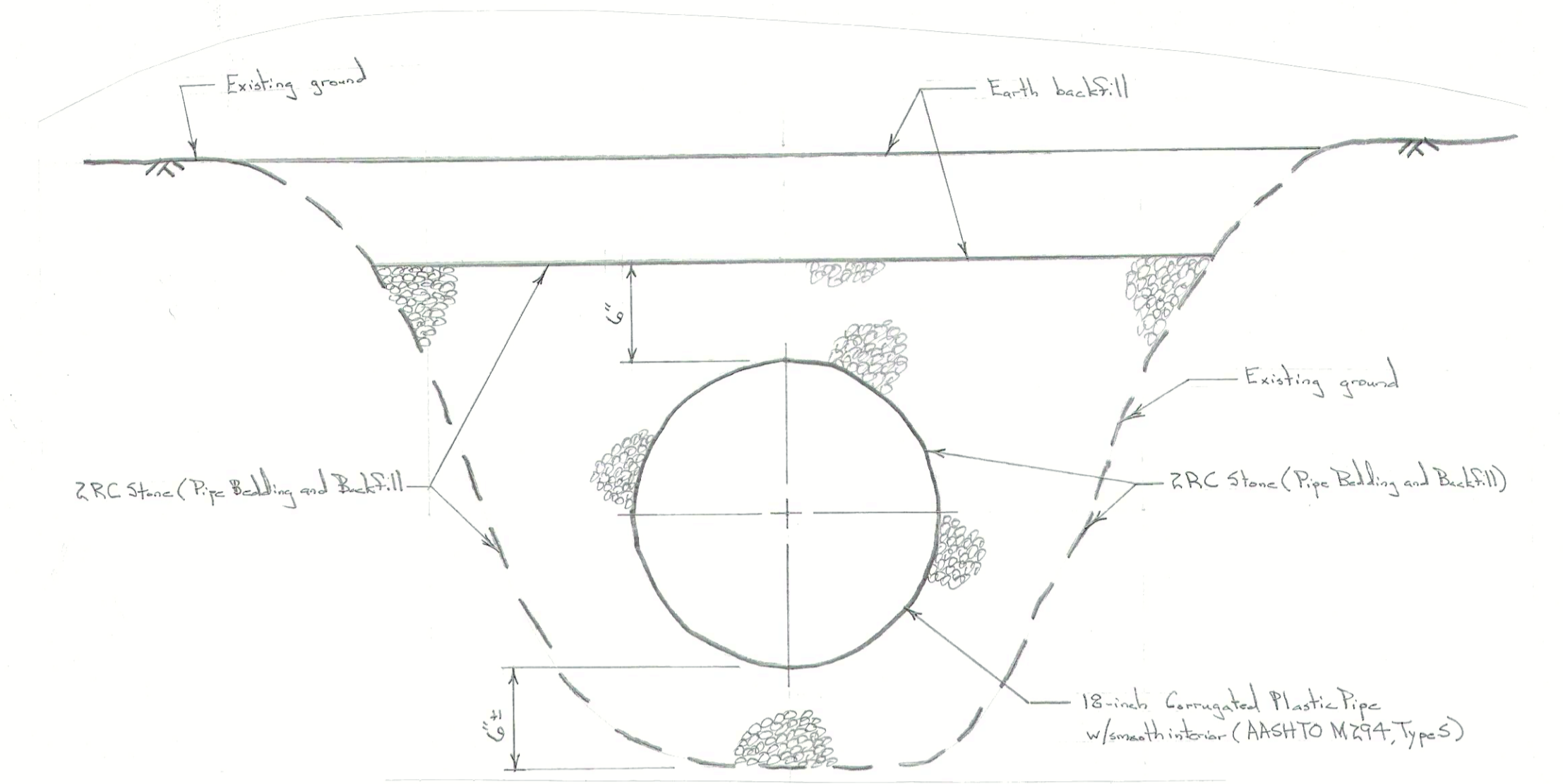


**UNDERDRAIN TRENCH SECTION**

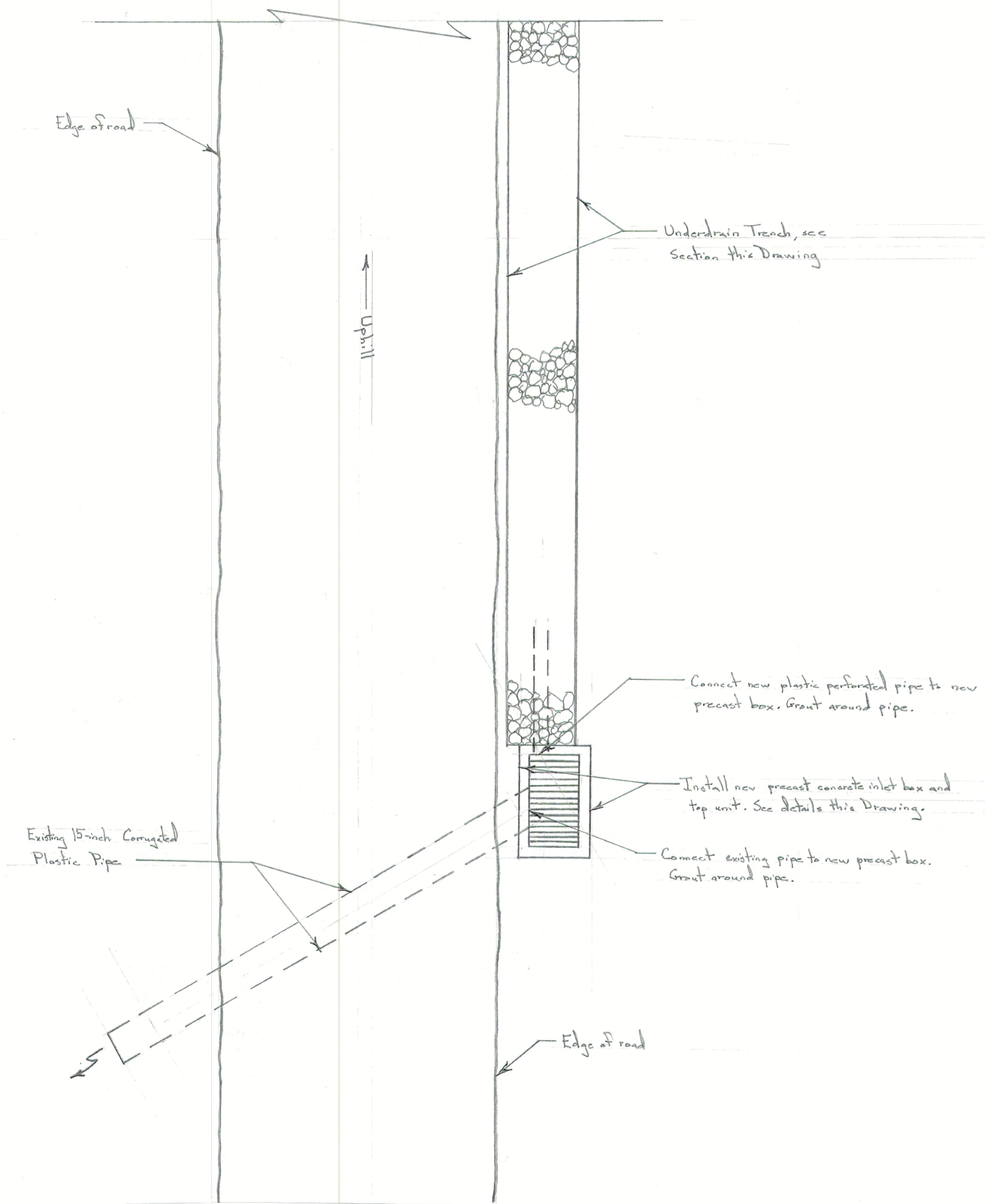
Scale: 1-1/2 in. = 1 ft.



**DRAINAGE PIPE SECTION**

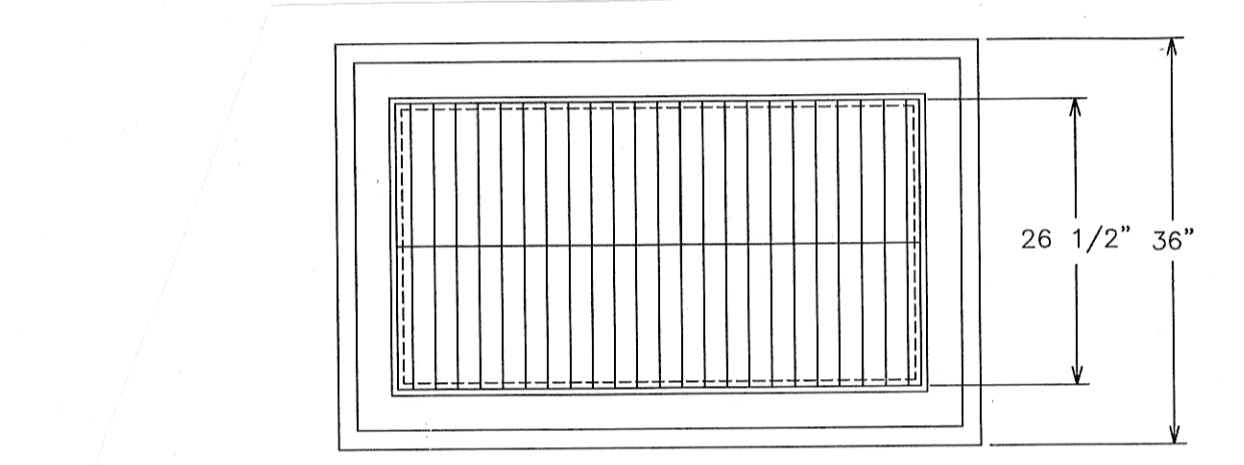
Scale: 1-1/2 in. = 1 ft.

Note: This section applies to the existing pipe at Sta. 4+84 only.

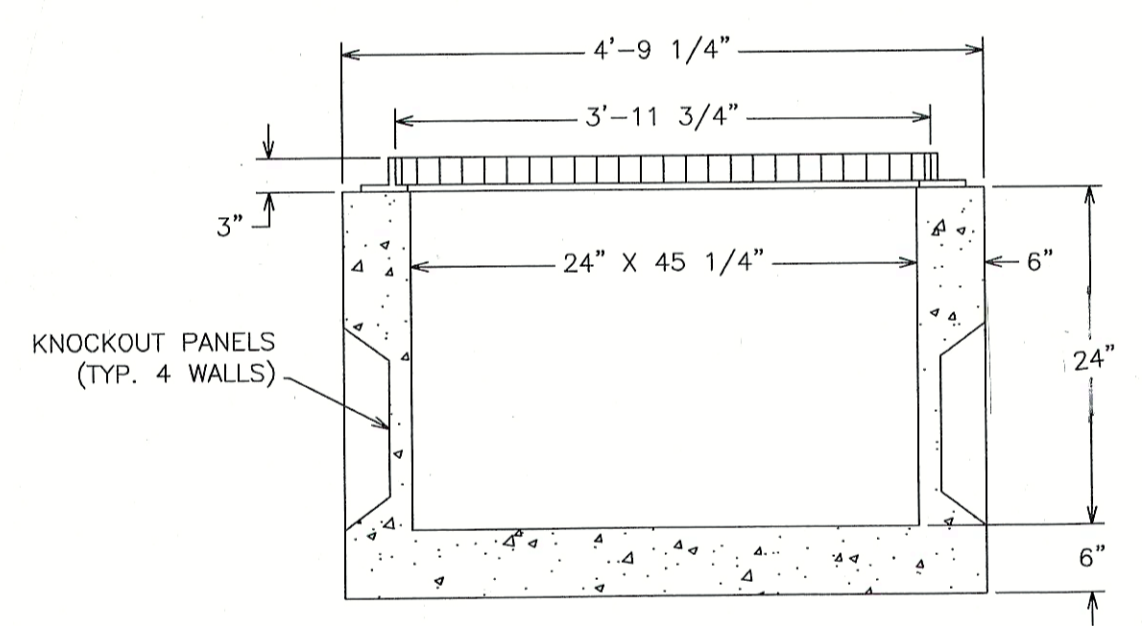


**DRAINAGE INLETS PLAN**

Scale: 1 in. = 4 ft.



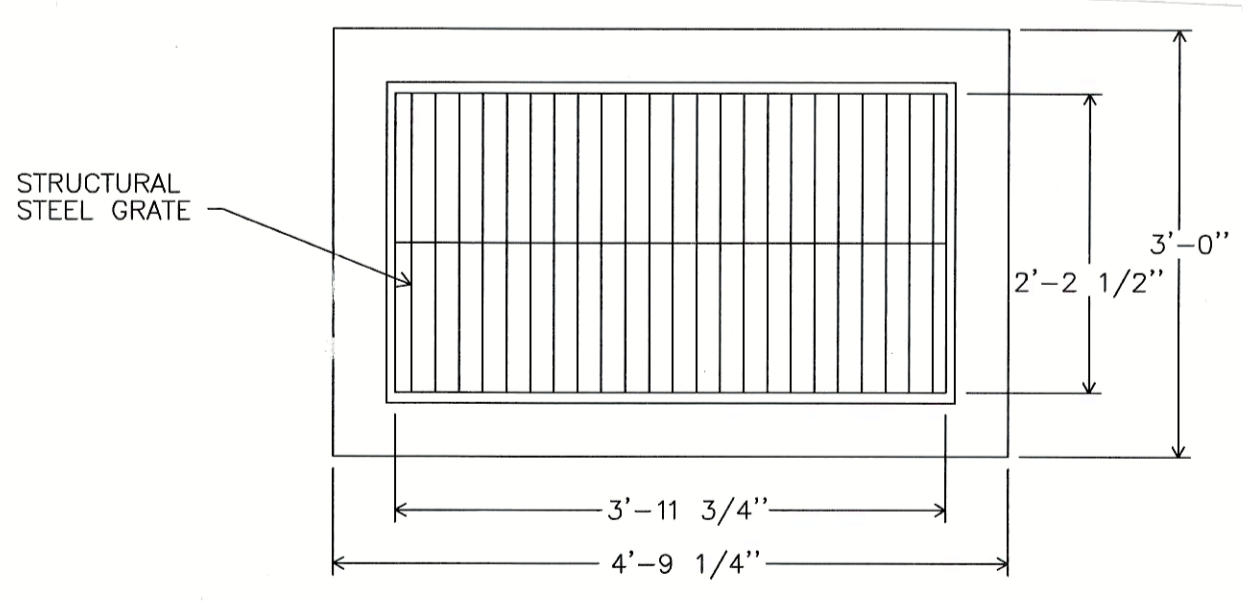
-PLAN-



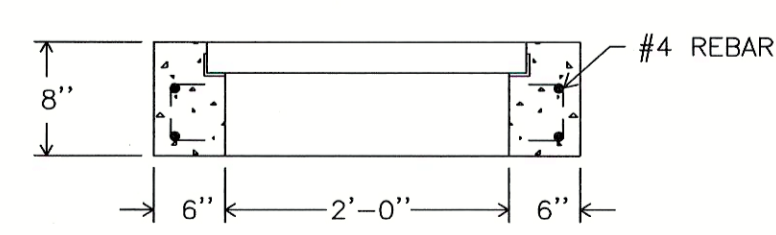
-SECTION- WITH FRAME AND GRATE

**INLET BOX DETAIL**

No Scale



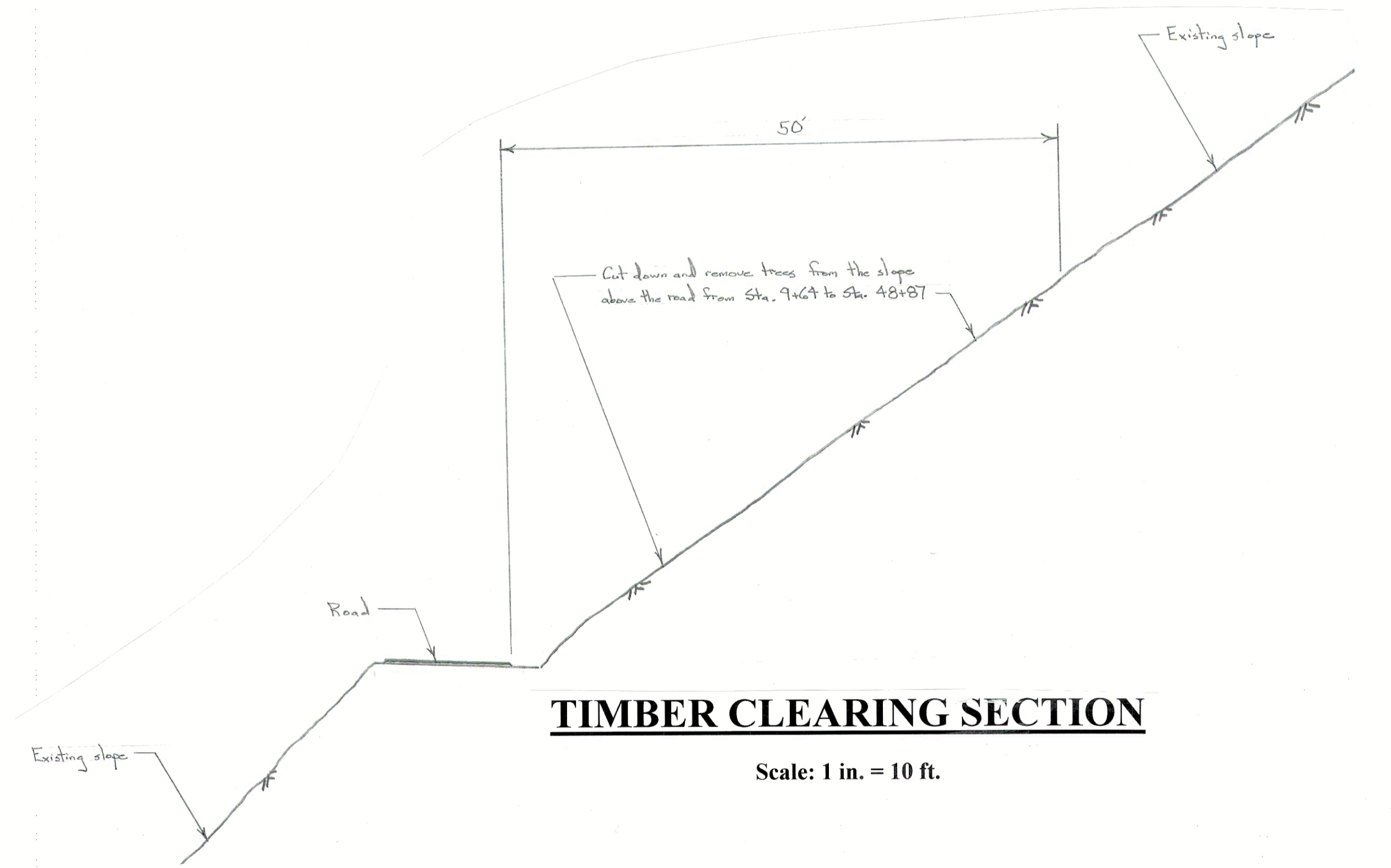
-PLAN-



-SECTION-

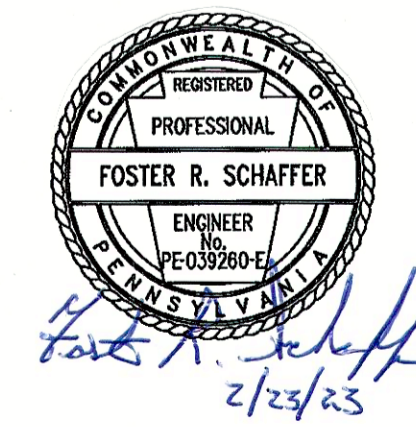
**TOP UNIT DETAIL**

No Scale



**TIMBER CLEARING SECTION**

Scale: 1 in. = 10 ft.



PENNSYLVANIA GAME COMMISSION		
SGL #107	DECATUR TWSP.	WIFFLIN CO.
SHADE MOUNTAIN ROAD MAINTENANCE PROJECT		
DRAINAGE DETAILS AND TIMBER SECTION		
REVISIONS		
▲	PROJECT NO.	PGC-107-23-01
▲	DRAWN BY:	SS
▲	DATE:	2/23/23
▲	SHEET NO.	2 OF 2